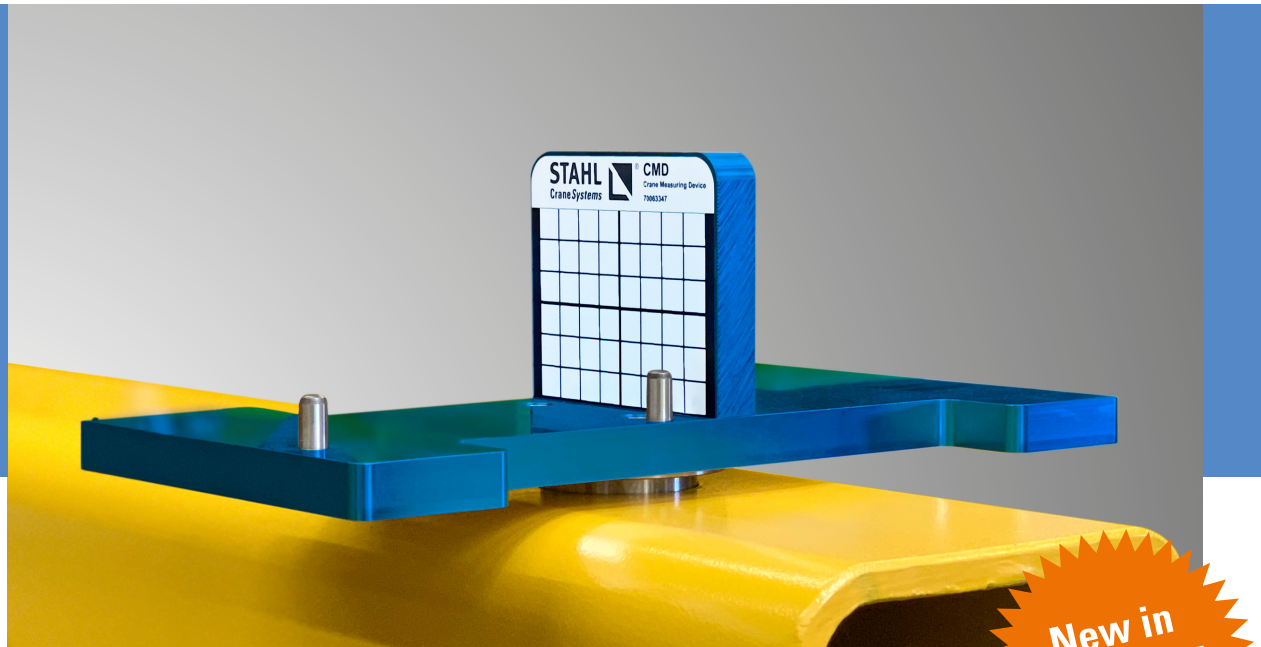


# The CMD crane measuring device

05.2023



For safe operation of a crane system, it is necessary to observe the tolerances of the crane in conjunction with the crane runway tolerances according to ISO 12488. Track gauge, diagonal dimension as well as camber of the wheels are essential dimensions. Large dimensions, such as the span, restrict the use of hand-held measuring equipment considerably. Reference and contact surfaces are usually difficult to access or mechanically unmachined, precise measurement is usually only possible with increased effort.

## Functionality

With the aid of the new CMD crane measuring device, the measurement tasks for compliance with the tolerances and thus safe operation of a crane system can be carried out precisely, quickly and easily.

With two CMD crane measuring devices, each attached to the defined reference surfaces on the STAHL CraneSystems crane endcarriages, various parameters on the crane and trolley can be measured with commercially available measuring devices (e.g. distance laser measuring device or electronic spirit level). With the CMD crane measuring device, a significant increase in measuring accuracy and reproducibility can be achieved with commercially available measuring instruments.

## Fields of use

The CMD crane measuring device can be used in many areas, e.g. in steel construction production, when aligning the crane or the hoist, during final assembly, final acceptance or when manufacturing crane endcarriages and trolleys. The CMD crane measuring device can also be used for checking crane systems and hoists that have already been put into operation.

### The facts

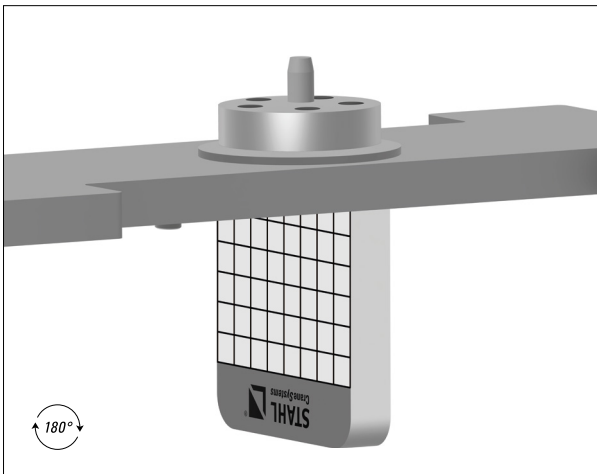
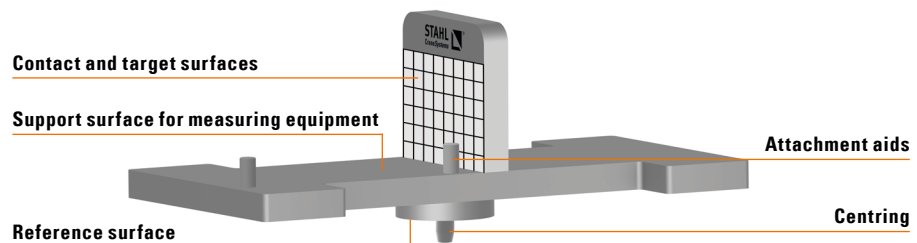
- Simple plug-in system for attaching the CMD crane measuring device
- Defined measuring surfaces/points on the crane endcarriage or trolley for exact measurement
- Simple and precise measurement
- Largely dimensioned contact and target surfaces for commercially available measuring instruments
- Easier alignment in steel construction and measurement of installed and commissioned crane systems and hoists

### The measurement tasks

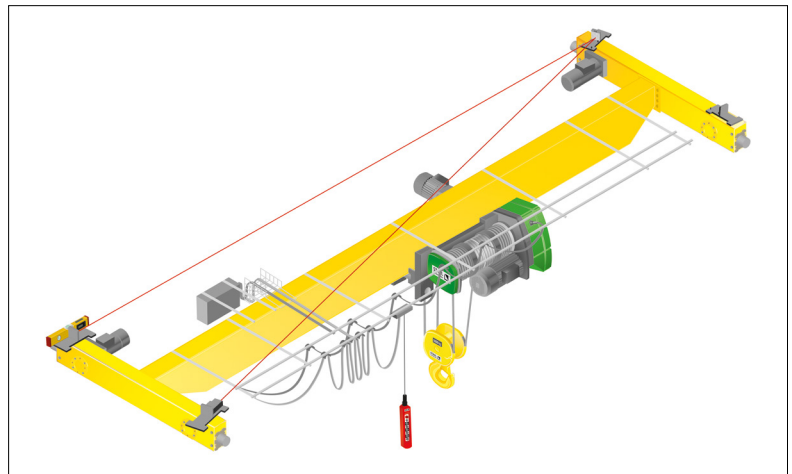
- Track gauge
- Height level of the wheel axles
- Diagonal dimension
- Camber of endcarriage



1 The crane measuring device is delivered securely packed in a case.



2 The CMD crane measuring device is attached to the crane endcarriages by means of a simple plug-in system with centring on the incorporated reference surfaces. The crane measuring device is fixed with the aid of strong magnets.



3 Measurement example: With the CMD crane measuring devices, which are attached to the defined reference surfaces on the crane endcarriages, the track gauge and diagonal dimension can be measured precisely and with little effort. In addition, the camber of the endcarriages can be checked with a spirit level.