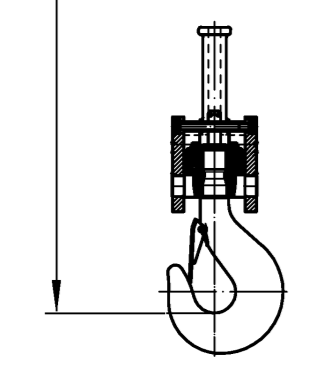
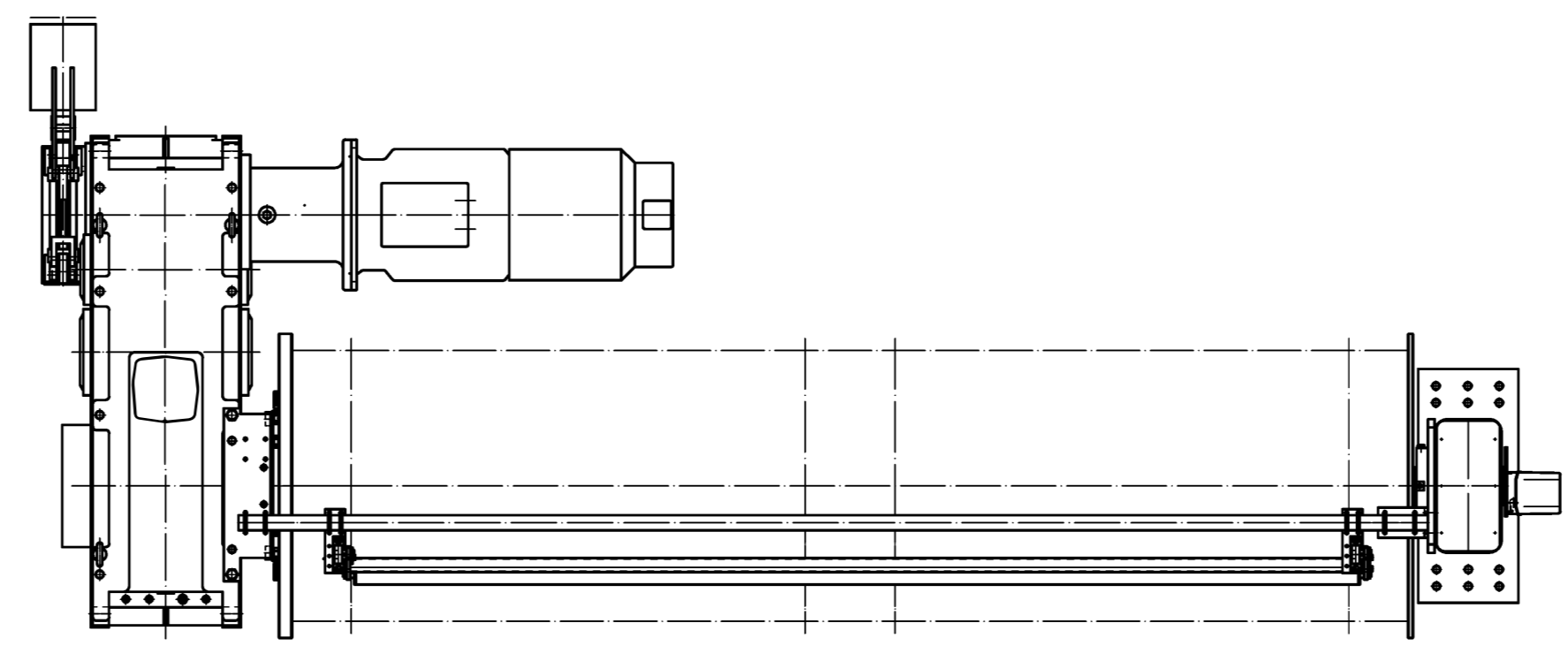


1850

max. hook path 142 m



**General**

Hoist Type	SHWF8200-16 2/2-1 L3+550
Location	indoors
Ambient temperature range	-10°C / 40°C
Classification of lifting element (FEM/ISO)	M4
Classification of gear mechanism (FEM/ISO)	M5
Hoist drive class acc. DIN EN 13001-2	HD4
Weight hoist+trolley	8300 kg
Certification	CE
Ex Zone	-
Protection class (EN 60529)	IP55

**Hoist**

Lifting capacity	20000 kg
Lifting height	142,00 (max. 142,00) m
Hoisting speed	0,38..19,00 m/min
Hoist motor type	1 x 4 H93   176,00 kW   160 % DC

**Trolley**

Execution	Stationary
Trolley type	Stationary
Flange width / track gauge	- mm
Radius of bend	- mm
Travel speed	- m/min
Travel drive type	-

**Electrical data**

Operating voltage	480 V
Control voltage	120 V
Power frequency	60 Hz

Project sketch - for information only  
 Subject to changes without prior notice  
 Projektskizze - Änderungen vorbehalten

Approved	Date	Owner department	Part of Approval	Size	Total weight kg	Sheet
		STAHL		A2	-	1/1
Checked	Date	Title				
		HOIST; FIXED				
Designer	Date	Keywords				
kocha	2024-09-11	-				
			Product/Project reference	Item ID		
			SHWF8200-16-2/2-1L3+550STAT			
			Document ID	Rev		
				3		

This document and the information contained herein, is the exclusive property of STAHL CraneSystems GmbH and represents a non-public, confidential and proprietary trade secret that may not be reproduced, disclosed to third parties, altered or otherwise employed in any manner whatsoever without the express written consent of STAHL CraneSystems GmbH. © 2011 STAHL CraneSystems GmbH. All rights reserved.